

ALTERNATOR DIODE FOR AUTOMOTIVE APPLICATION.

FEATURES

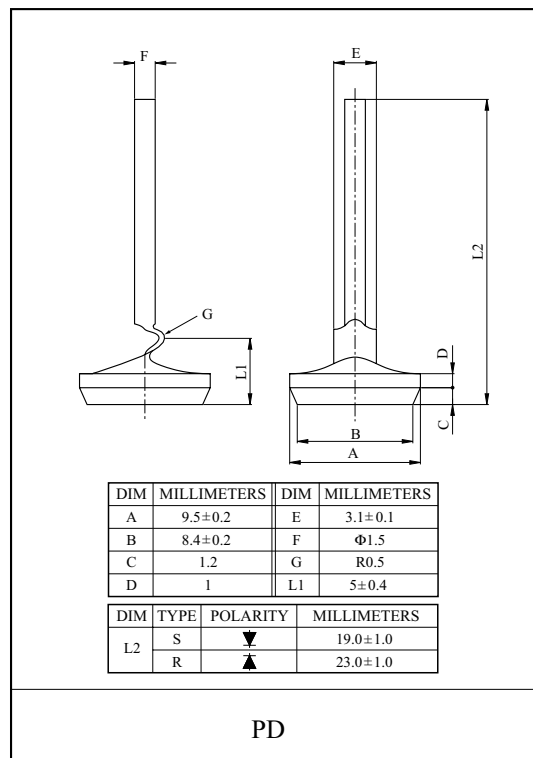
- Average Forward Current : $I_O=35A$.
- Reverse Voltage : 200V(Min)

POLARITY

E35A2CDS E35A2CDR
(+ Type) (- Type)

MAXIMUM RATING (Ta=25 °C)

CHARACTERISTIC	SYMBOL	RATING	UNIT
Average Forward Current	$I_{F(AV)}$	35	A
Peak 1 Cycle Surge Current	I_{FSM}	350 (60Hz)	A
Repetitive Peak Reverse Voltage	V_{RRM}	200	V
Junction Temperature	T_j	-40 ~ 200	°C
Storage Temperature Range	T_{stg}	-40 ~ 200	°C



ELECTRICAL CHARACTERISTICS (Ta=25 °C)

CHARACTERISTIC	SYMBOL	TEST CONDITION	MIN.	TYP.	MAX.	UNIT
Forward Voltage	V_F	$I_{FM}=100A$	-	-	1.05	V
Reverse Voltage	V_R	$I_R=5mA$	200	-	-	V
Reverse Current	I_R	$V_R=200V$	-	-	50	μA
Reverse Recovery Time	t_{rr}	$I_F=0.1A, I_R=0.1A$	-	-	15	μS
Reverse Leakage Current Under High Temperature	HI_R	Ta=150 °C, $V_R=200v$	-	-	2.5	mA
Temperature Resistance	R_{th}	DC total Junction to case	-	0.8	-	°C/W